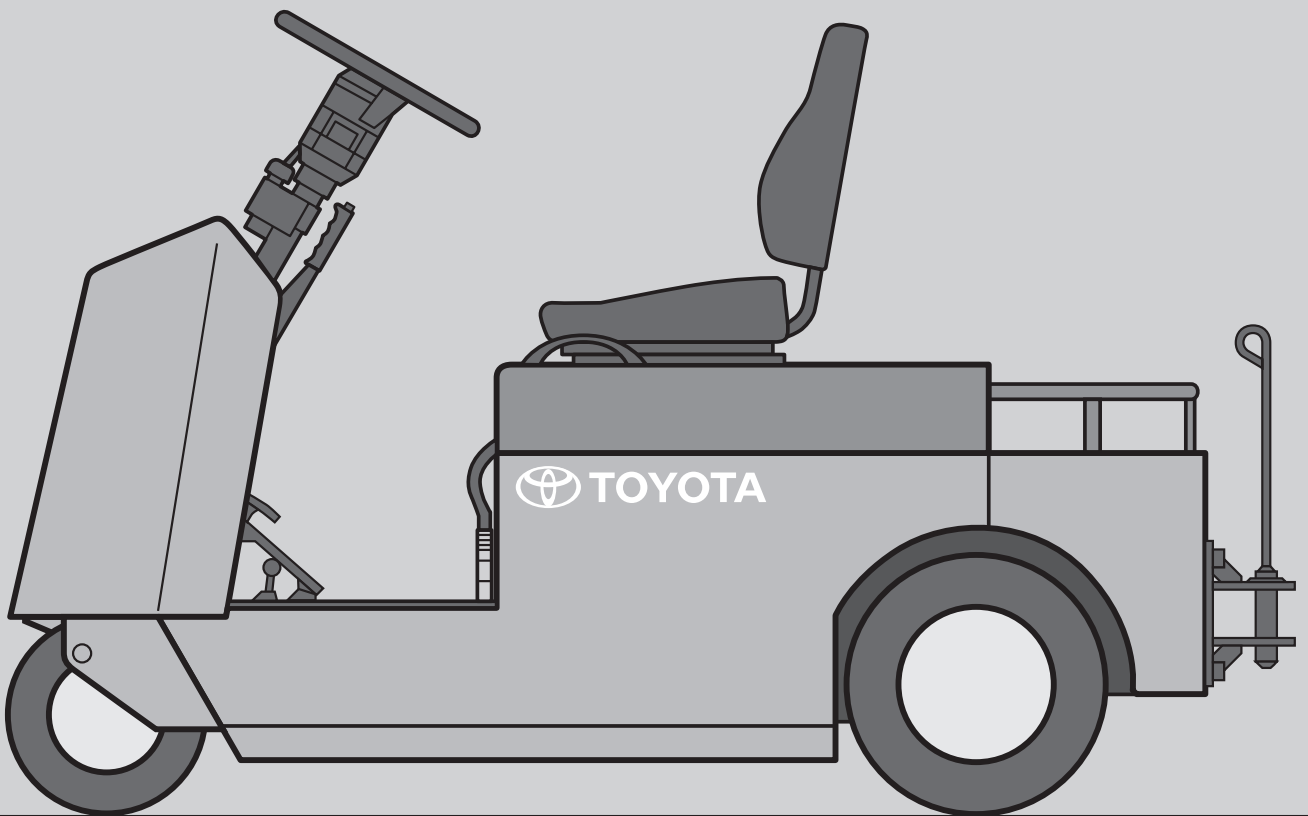


ELECTRIC POWERED TOWING TRACTOR CBT/CBTY Series



MAIN VEHICLE SPECIFICATIONS

Manufacturer			TOYOTA	TOYOTA	TOYOTA
Model			CBT4	CBT6	CBTY4
Power Type			Battery	Battery	Battery
Operator Position			Rider Seated	Rider Seated	Stand on
Tire Type		Front/Rear	Pneumatic	Pneumatic	Pneumatic
Wheels (x = driven)		Front/Rear	2/2x	2/2x	2/2x
Maximum Drawbar Pull		3-Minute Ratings	N (kg)	3920 (400)	4410 (450)
Rated Drawbar Pull (Towing Capacity)		60-Minute Ratings	N (kg)	980 (100)	1470 (150)
Towed Weight		60-Minute Ratings	kg	4000	6000
Travel Speeds		No Load	km/h	13.5	18
		w/ Load	km/h	9 w/2 ton	13 w/3 ton
Gradeability *		No Load	% (tanθ)	36	32
		3-Minute Ratings			36
Overall Length		w/ Hitch	mm	2020	2020
		w/o Hitch	mm	1880	1880
Front Overhang			mm	160	160
Rear Overhang			mm	360	360
Overall Width			mm	965	965
Overall Height			mm	1285	1285
Turning Radius (Outside)			mm	1775	1775
Hitch Length			mm	140	140
Height of Hitch			mm	305	305
Wheelbase			mm	1360	1360
Tread		Front	mm	260	260
		Rear	mm	805	805
Underclearance		Center of Wheelbase	mm	80	80
Floor Height			mm	330	330
Total Weight		w/ Battery	kg	980	1080
		Without Battery	kg	540	585
Weight Distribution (With STD Battery)		Front	kg	330	365
		Rear	kg	650	715
Tires		Number	Front/Rear	2/2	2/2
		Size	Front	3.50-5-6PR (I)	3.50-5-6PR (I)
			Rear	4.00-8-6PR (I)	4.00-8-6PR (I)
Brake		Service (Foot)		Hydraulic	Hydraulic
		Parking		Hand	Hand
Battery		Voltage/Capacity (5-Hour Ratings)	STD	V/AH	48/210
		Weight (STD Capacity Type)	kg		440
Electric Motor		Drive	kW		2.6
Control Type		Drive		Transistor chopper	Transistor chopper

NOTE: * Computed values.

TOWED WEIGHT

Unit: Ton

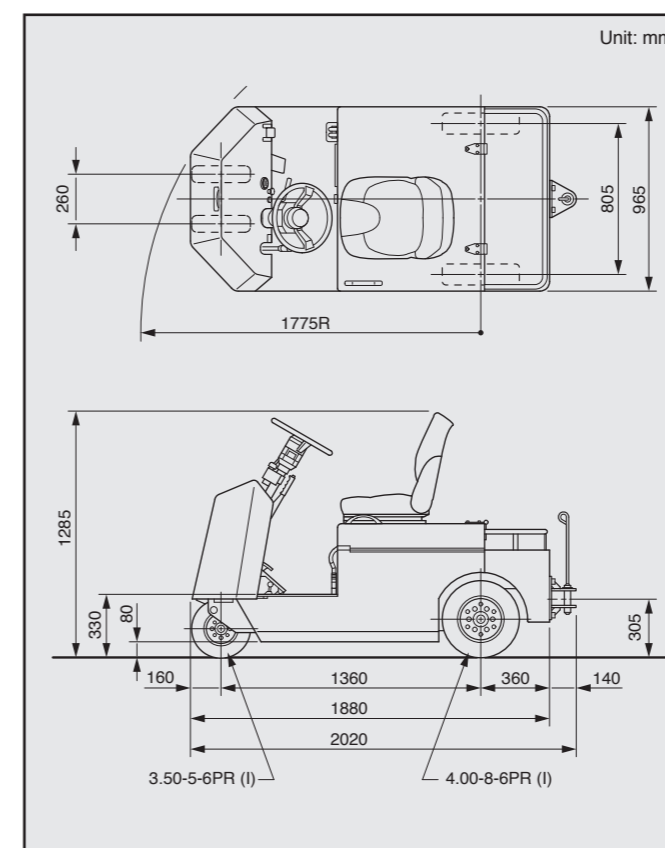
Model	Start on Grade					
	3-Minute Rating			60-Minute Rating		
Surface Condition (Dry Even Concrete)	CBT4	CBT6	CBTY4	CBT4	CBT6	CBTY4
Level Road	4.0 <7>	6.0 <7>	4.0 <7>	4.0 <7>	6.0 <7>	4.0 <7>
Grade (Degrees)	1°	3.4 <4>	3.8 <4>	3.4 <4>	1.9 <7>	3.0 <7>
	2°	2.7 <4>	3.0 <4>	2.7 <4>	1.0 <7>	1.8 <7>
	3°	2.2 <4>	2.4 <4>	2.2 <4>	0.5 <7>	1.1 <7>
	4°	1.7 <4>	2.0 <4>	1.7 <4>	0.2 <7>	0.6 <7>

NOTE: < > indicates travel speed in km/h.

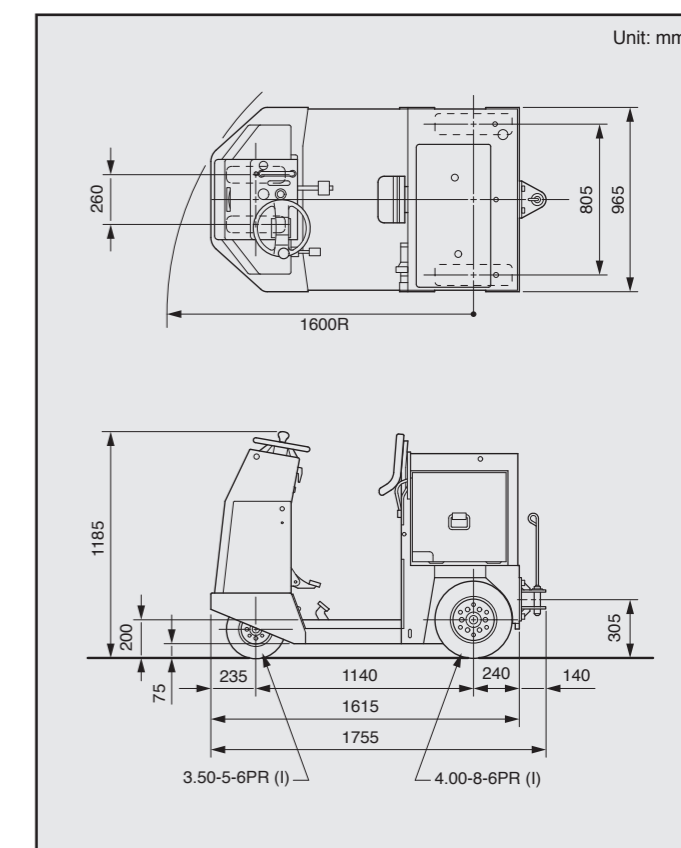
The data in this publication was determined based on our standard testing condition. Operating performance may vary depending on the actual specification and condition of the vehicle as well as the condition of the operating area.

DIMENSIONAL DRAWINGS

CBT4.6



CBTY4



STANDARD EQUIPMENT

CBT4.6

- Operator Presence Sensing System (OPS)
- Headlights
- Battery capacity indicator
- Hour meter
- Electric horn
- Buck-up buzzer wiring
- Non-slip sheet
- Seat
- Rear drawbar
- Battery hood damper
- Double-action parking brake
- Pneumatic tire
- Truck bed

CBTY4

- Operator Presence Sensing System (OPS)
- Headlights
- Battery capacity indicator
- Hour meter
- Electric horn
- Buck-up buzzer wiring
- Non-slip sheet
- Rear drawbar
- Foot-operated parking brake
- Pneumatic tire

Availability and specifications are determined regionally and are subject to change without notice.
Please consult your Toyota representative for details.

All rights reserved by Toyota Industries Corporation.



TOYOTA MATERIAL HANDLING INTERNATIONAL

S.S.CBTY4/CBT4,6/E-1601/©/Printed in Japan/No.720660E0/300